

EW 1
Compact AER solutions



Steelco
devoted to hygiene



“For the Environmentally conscious”



EW 1 - Compact Automatic Endoscope Reprocessor



Steelco EW 1 is fully complying to the EN ISO 15883-1/4

The EW 1 washer disinfecter is able to reprocess flexible endoscopes of all types and brands such as gastroscopes, colonoscopes, duodenoscopes, ecoendoscopes, video and fiber enteroscopes or up to three bronchoscopes, cistoscopes, hysteroscopes.... per cycle.

Its **compact design** grants the highest level of flexibility assuring, at the same time, **low cycle costs** through a **reduced consumption** of water, chemical and energy.

The integrated **monitoring system** assures a **higher level of safety** by checking water/air flow and pressure of the instrument connection.



Configurations

EW 1 design provides an installation set for any facility.

- The "rack" option set up, with two EW 1 AERs installed on the top of each other, allows asynchronous reprocessing of 2 flexible endoscopes on a small footprint.
- EW 1 can be also equipped with a stand on wheels for easier operation and service.

Process traceability made easy



Instrument and operator recognition can be faster through the bar-code reader option.



Batch data information can be stored on a memory stick connected to the integrated USB interface or alternatively printed by the thermal printer ST1.

Optimal performance with Steelco chemicals



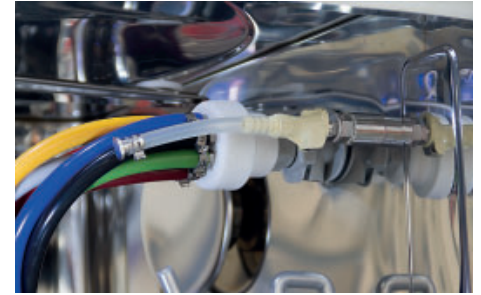
By using Steelco process chemicals the EW 1 automatic endoscope reprocessor reaches the highest efficiency results proven by microbiological tests together with complete documentation and instruments maximum safety conditions.

EW 1 endoscope reprocessor is endowed with a stainless steel base for the storage of chemicals.

EW 1 - Main features

- Compatible and tested with peracetic acid (cold disinfection) and glutaraldehyde (thermo-chemical) disinfection.
- 3 level service menu, protected by passwords (installation, service, user)
- Integrated endoscope channel monitoring system with 2 independent sensors.
- Leak test at the beginning of the cycle and continuous monitoring during all the cycle phases with automatic cycle stop in case of anomaly.
- Integrated sterile air filter (0.2 μm) for channels purging and drying.
- Final rinse with sterile water: the double-stage microbiological filtration system (0.45 μm and 0.1 μm) secures the validated disinfection of process water for the final rinse and disinfection phases.
- The use of Steelco chemicals for the cleaning and disinfection guarantees highest microbiological efficiency and documented results on the instruments biofilm removal.
- "Soft Touch" control panel with LCD color display with highlight of remaining time to cycle completion.
- Process documentation through the external printer or USB interface.

Thermal self disinfection



Thermal self disinfection cycle of the washer and of the washing basket according to EN ISO 15883-4

Optional

- Light inside the chamber
- Conductivity sensor
- Rack for two EW 1 A.E.R.
- 3rd chemical dosing pump
- Water softner
- Washing chamber with forced HEPA H14 filtered warm air drying
- External printer ST1
- Stand on wheels
- Barcode reader
- Ethernet connection



Pass-through version!

The real key to improve hygiene and safety standards even for private clinics and small endoscopy facilities.

This double door device grants the same safety and reprocessing capacity of the single door version and can also be configured in the double unit "rack" set up.

Adapters and connectors

The ARES program includes a complete range of manufacturer specific connectors for every endoscope. They are characterized by a high quality manufacturing for longer life and to ensure a tight connection to the cleaning system without any pressure loss. The connection hoses are crimped thus avoiding unnecessary interruptions of the treatment program.

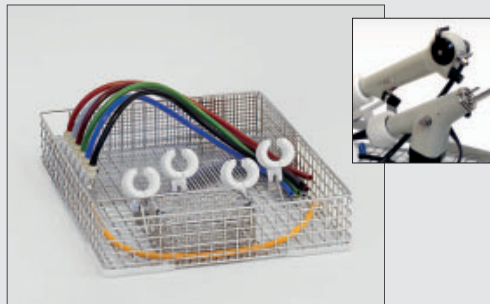


Flexible endoscopes



The washing basket allows the proper placement of the endoscopic instrument, avoids overlapping points and places the connection tube and the distal tube in a constant slope to facilitate the natural drain of fluids from the channels.

Video/fibrobronchoscopes



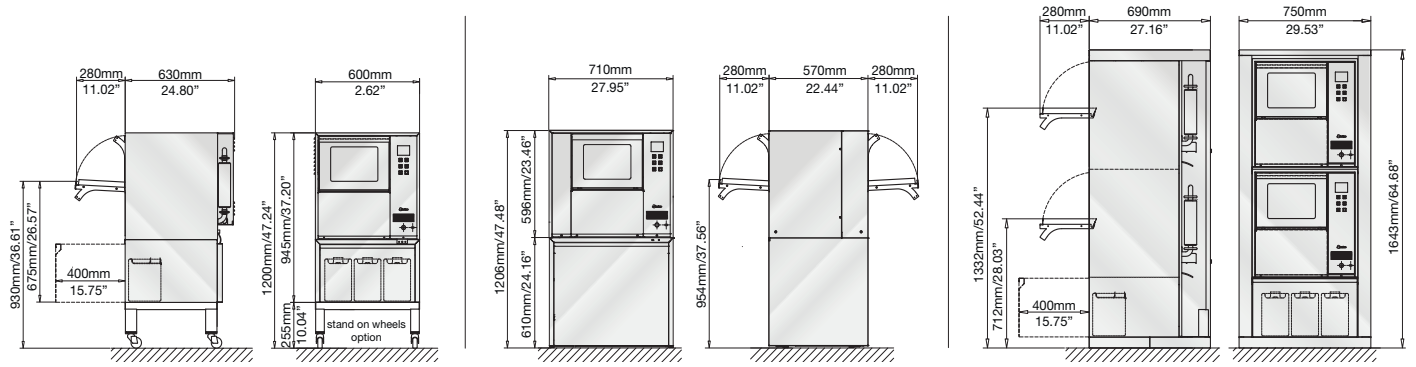
Washing cart for the simultaneous treatment of: 2 videobronchoscopes/cystoscopes or 3 fibroscopes/cystoscopes.

Rigid scopes



Washing cart for up to nr. 11 rigid scopes:
6 injection sleeves (max. instr. length 450mm)
5 luer lock connections for injection washing (max. instr. length 350mm)

Dimensions



www.steelcospa.com



Headquarters

STEELCO S.p.A.

Via Balegante, 27 - 31039 Riese Pio X (TV) - Italy

Ph. +39 0423 7561 - Fax +39 0423 755528

e-mail: steelco@steelcospa.com

www.steelcospa.com

Branches

STEELCO HUNGARY

Temesvár u., 19-21

1116 Budapest - Hungary

Ph. +36 1 371 0257

Fax +36 1 371 0258

e-mail: steelco@t-online.hu

STEELCO USA

999 Stinson Way - Unit 307

West Palm Beach, FL 33411 USA

Ph. +1 561 791 8313

Fax +1 561 791 8213

e-mail: steelco-usa@steelcospa.com

STEELCO ASIA

6th floor, Suite 16, IOI Business Park

Persiaran Puchong Jaya Selatan - Bandar Puchong Jaya

47100 Puchong, Selangor - Malaysia

Ph +60 3 8064 4339 (Ext. 112) - Fax: +60 3 8064 4340

e-mail: steelco-asia@steelcospa.com

